



# ATHLETE SAFETY NET

NTC525521-16 | NTC535522-16 | NTC545521200 : 5,5 m x 3,4 m

## ASSEMBLY MANUAL

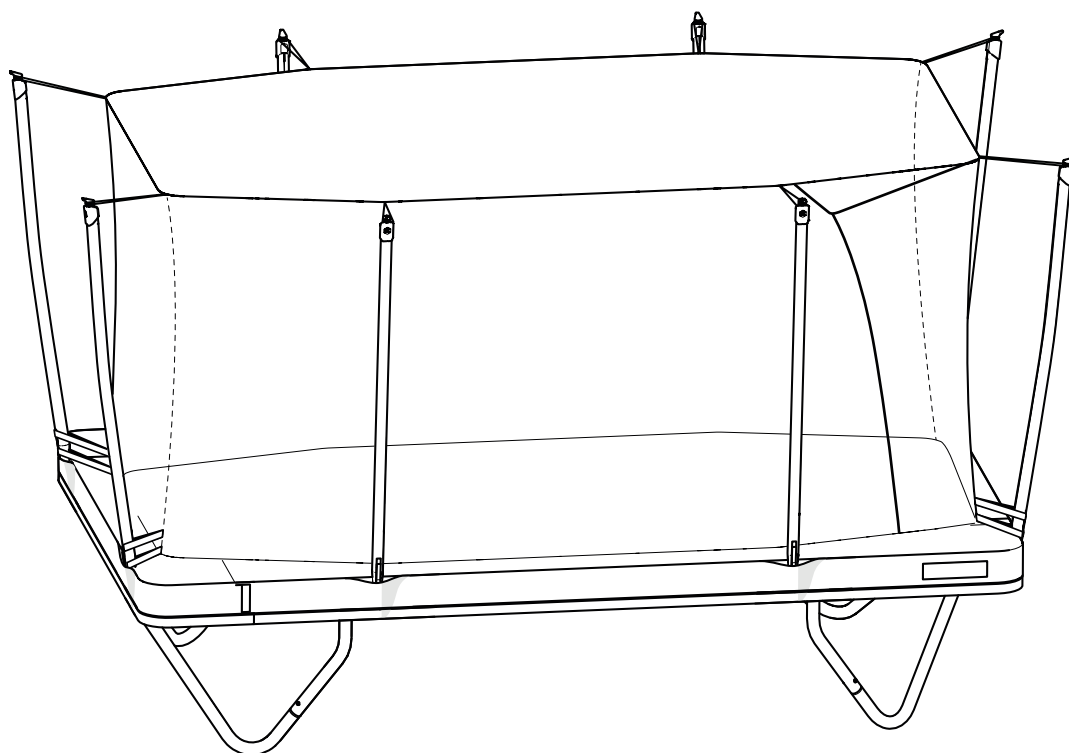
This assembly manual contains instructions  
for the North Athlete Safety Net.

NTM100006 / Version 1.03





# NORTH ATHLETE SAFETY NET



**This assembly manual contains important information.  
Read carefully. Keep for future reference.**

All rights reserved 2021. Avero AB ©  
All artwork and illustrations are owned by Avero AB, Sweden.  
Copying or reusing them is prohibited by law.  
For more information, contact us at [info@northtrampoline.com](mailto:info@northtrampoline.com)



---

**WARNING**

---

This safety net is an accessory and should only be used together with the North Athlete Trampoline.

This equipment is designed to fulfil the requirements of EN913:2018.

The equipment should only be used under the supervision of a competent person.

This trampoline is intended for one user.

For indoor and outdoor use.

---

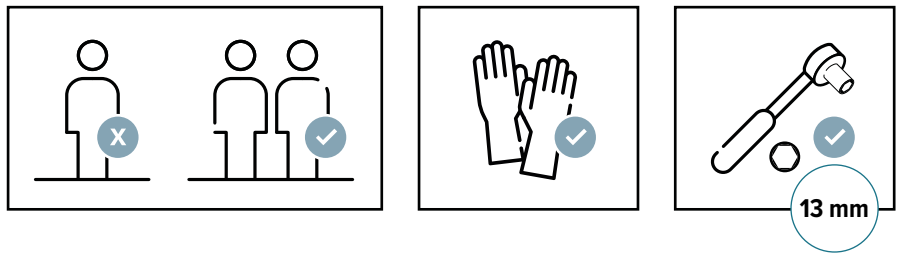
---

# ASSEMBLY INSTRUCTIONS

---

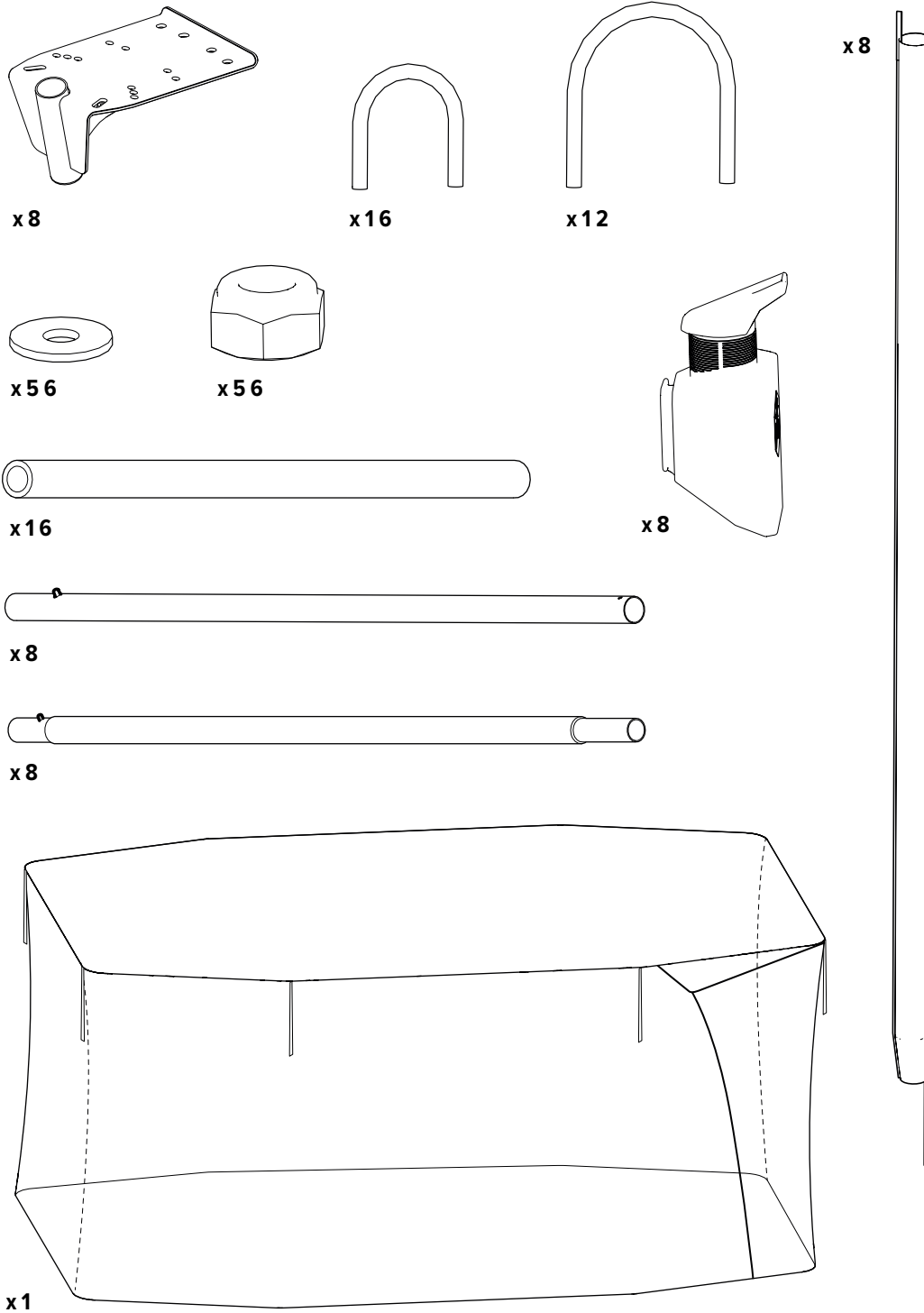
## ASSEMBLY

The safety net is to be assembled in accordance with the instruction manual by two persons. Use gloves to protect hands and fingers from injury during assembly.

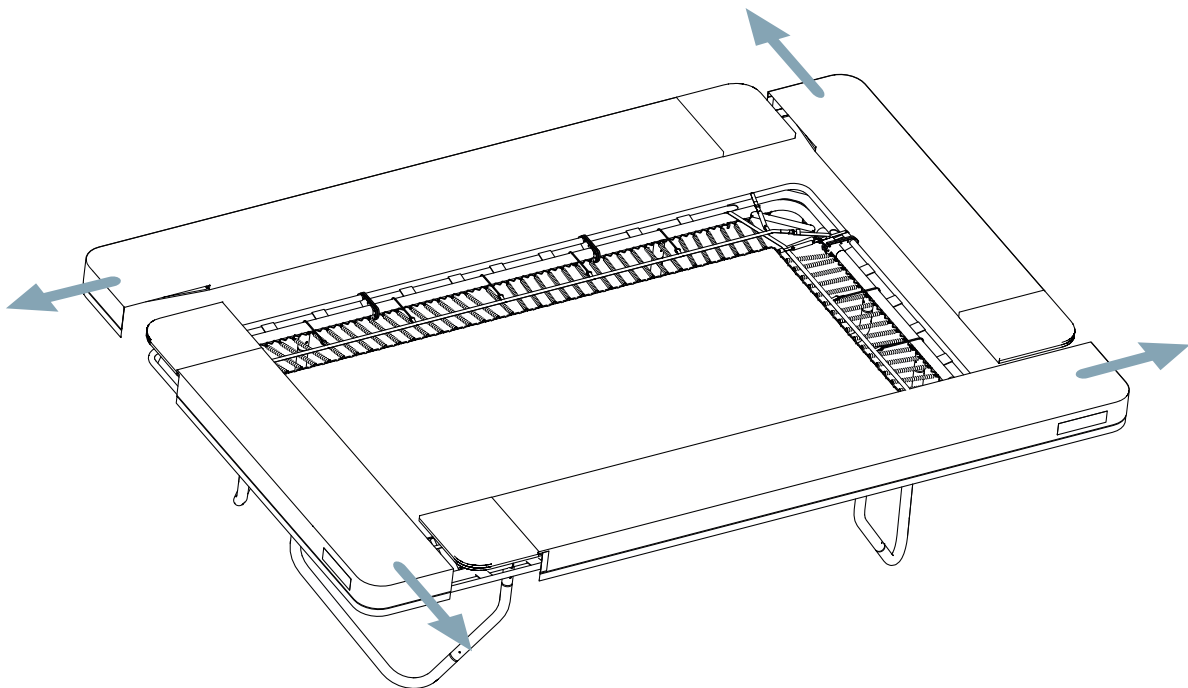
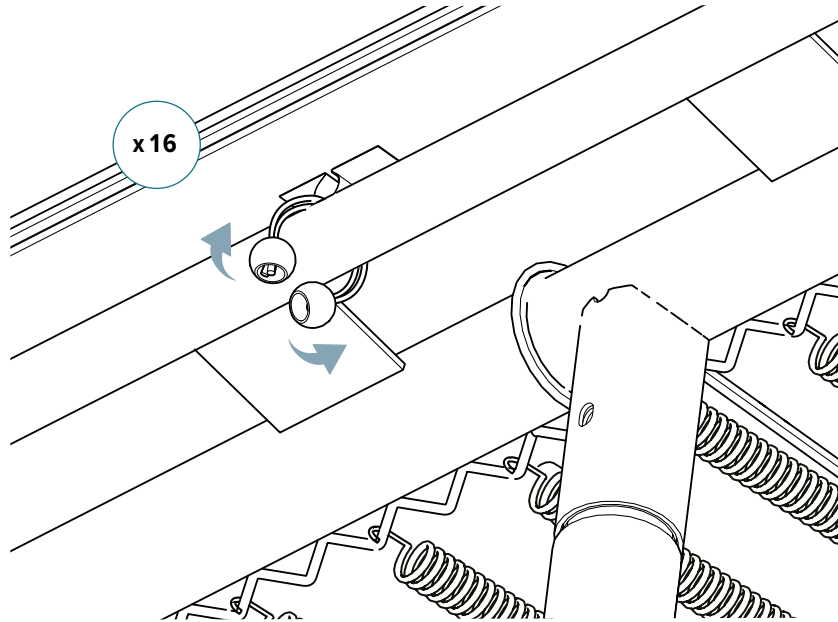


**PARTS LIST**

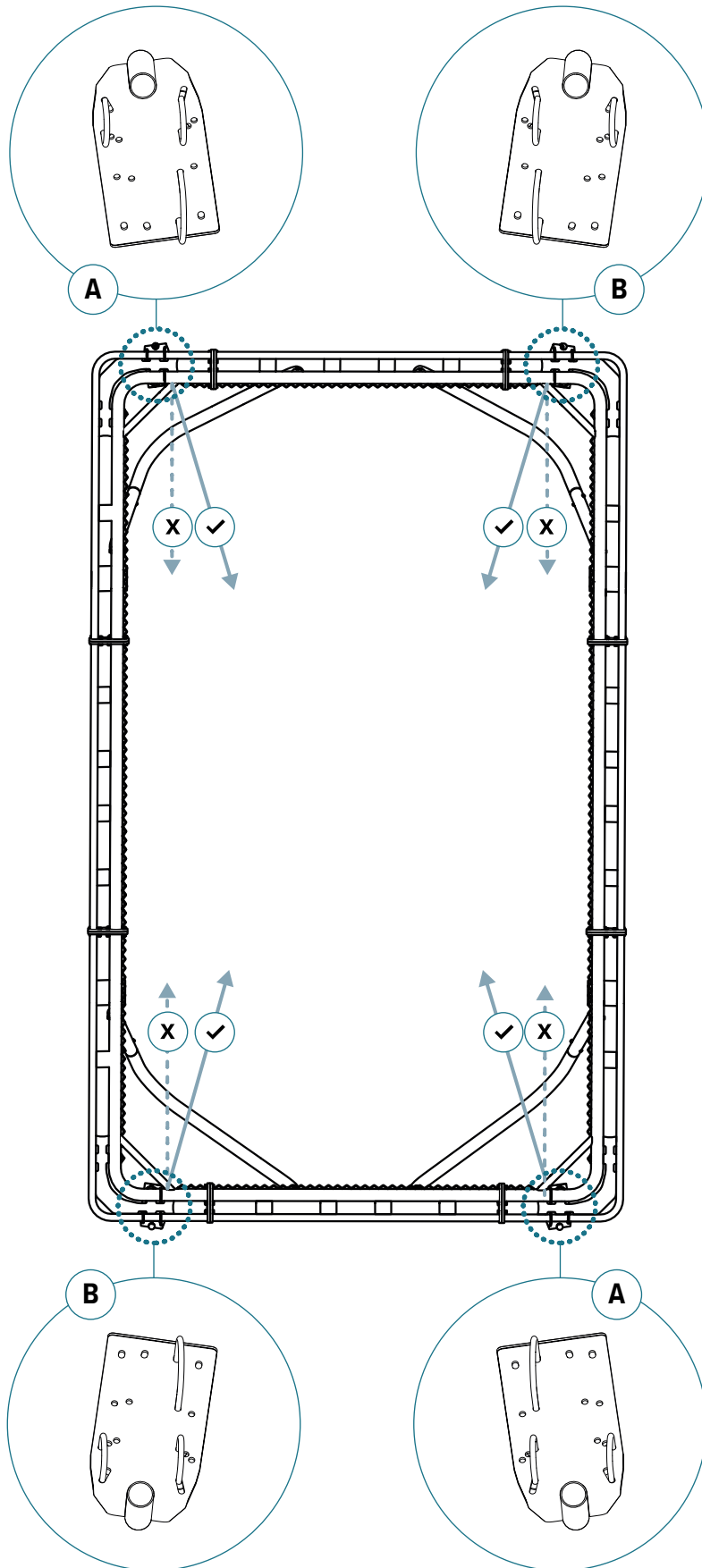
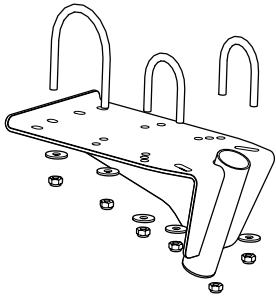
This is a parts list for your safety net. If you find any piece missing please contact your local dealer.



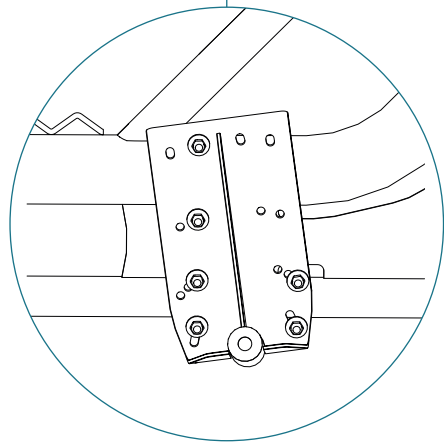
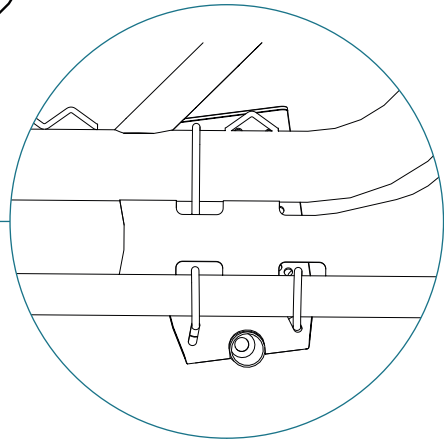
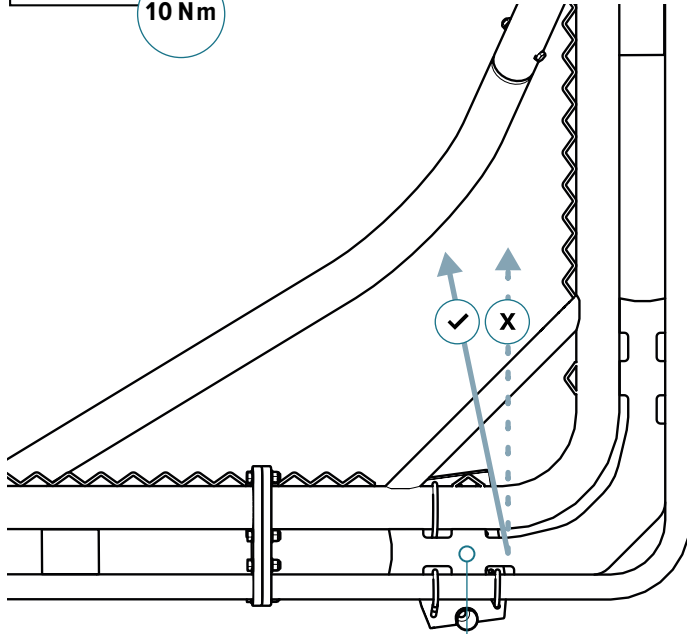
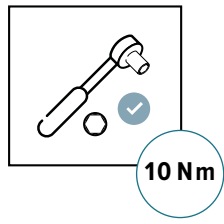
1



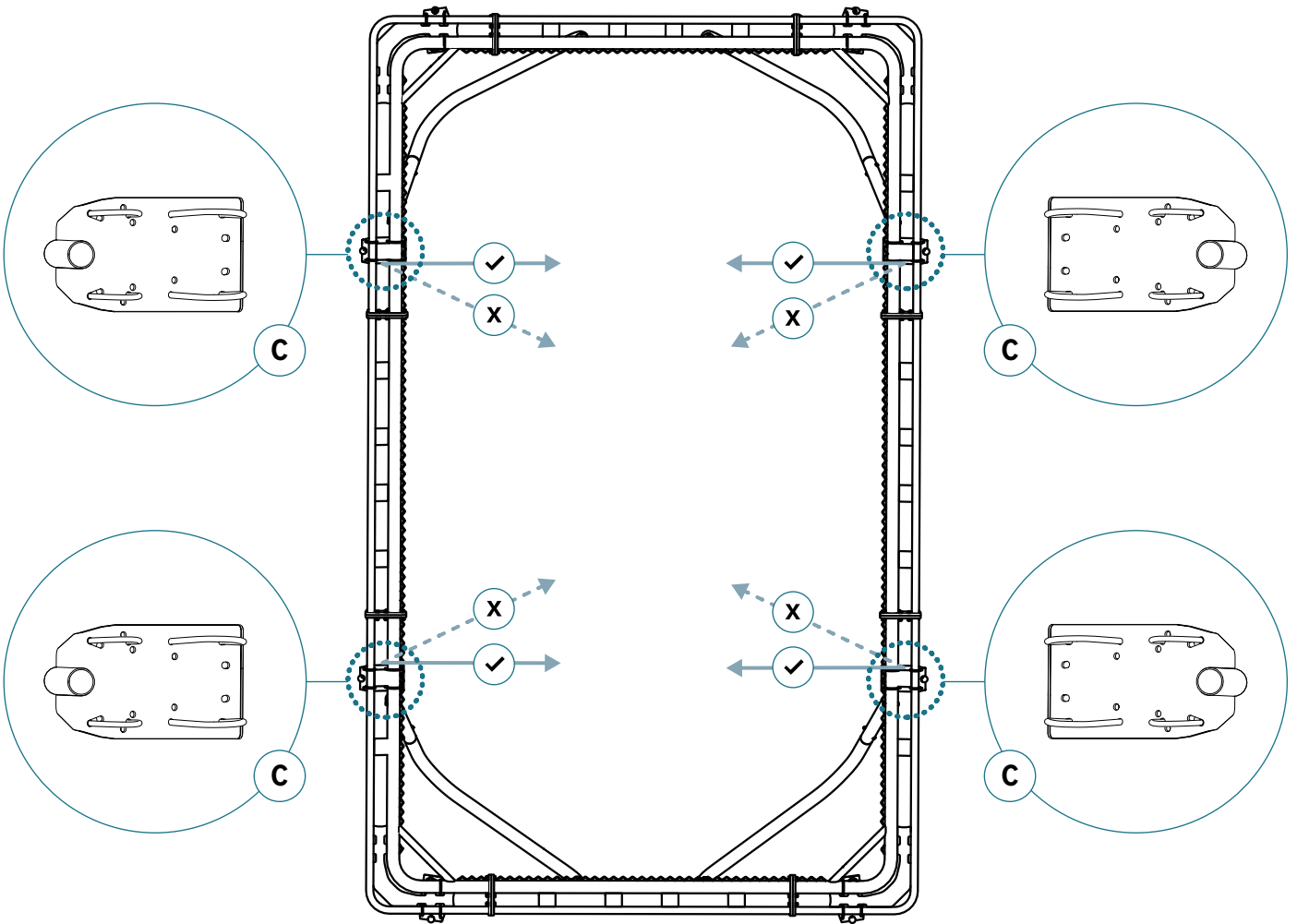
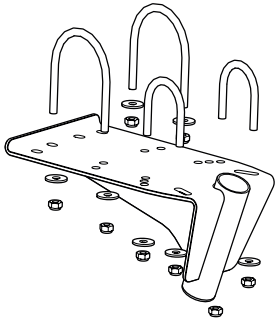
2

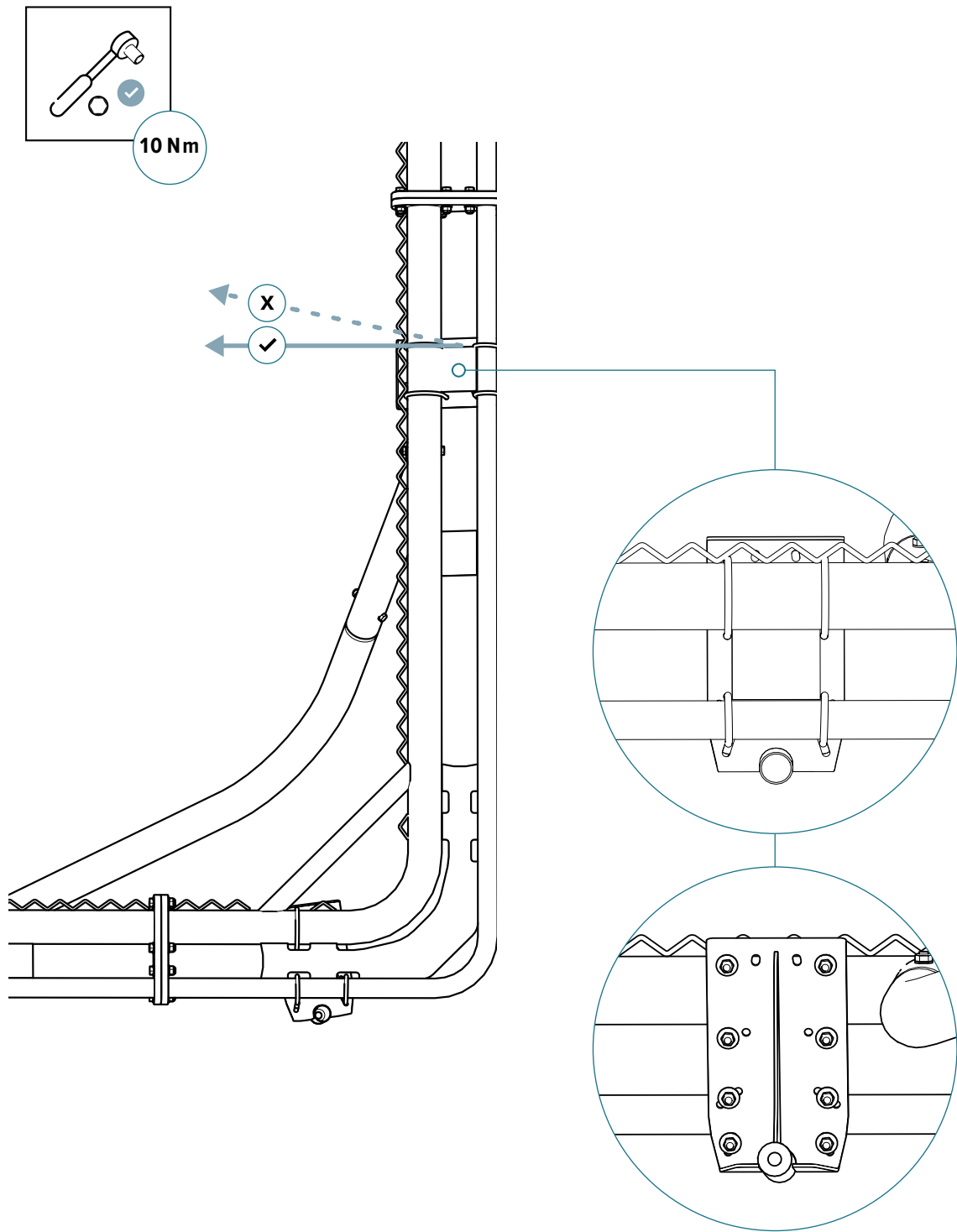




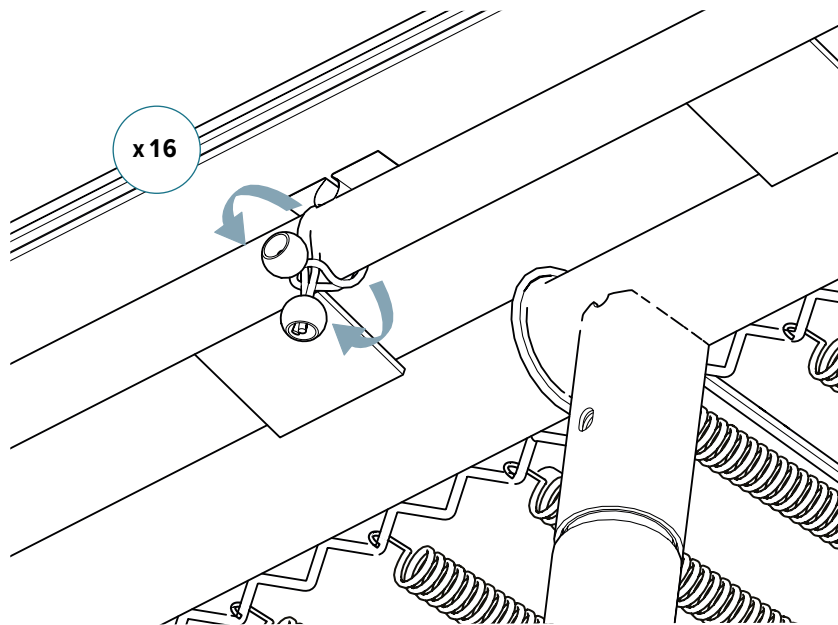
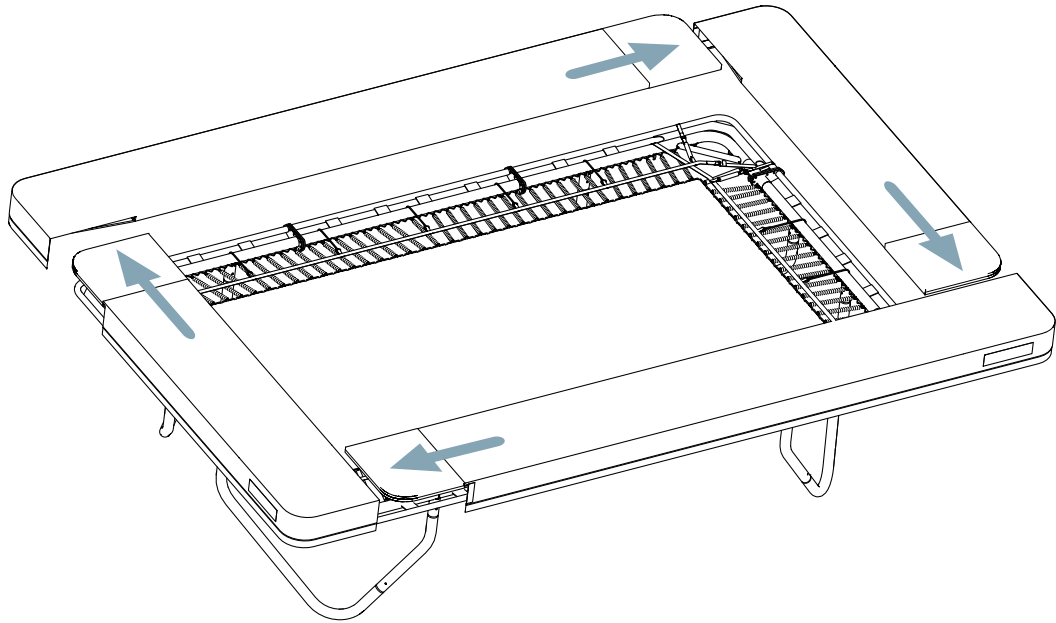


3

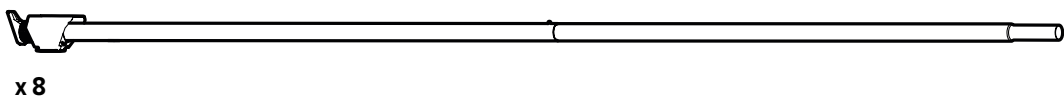
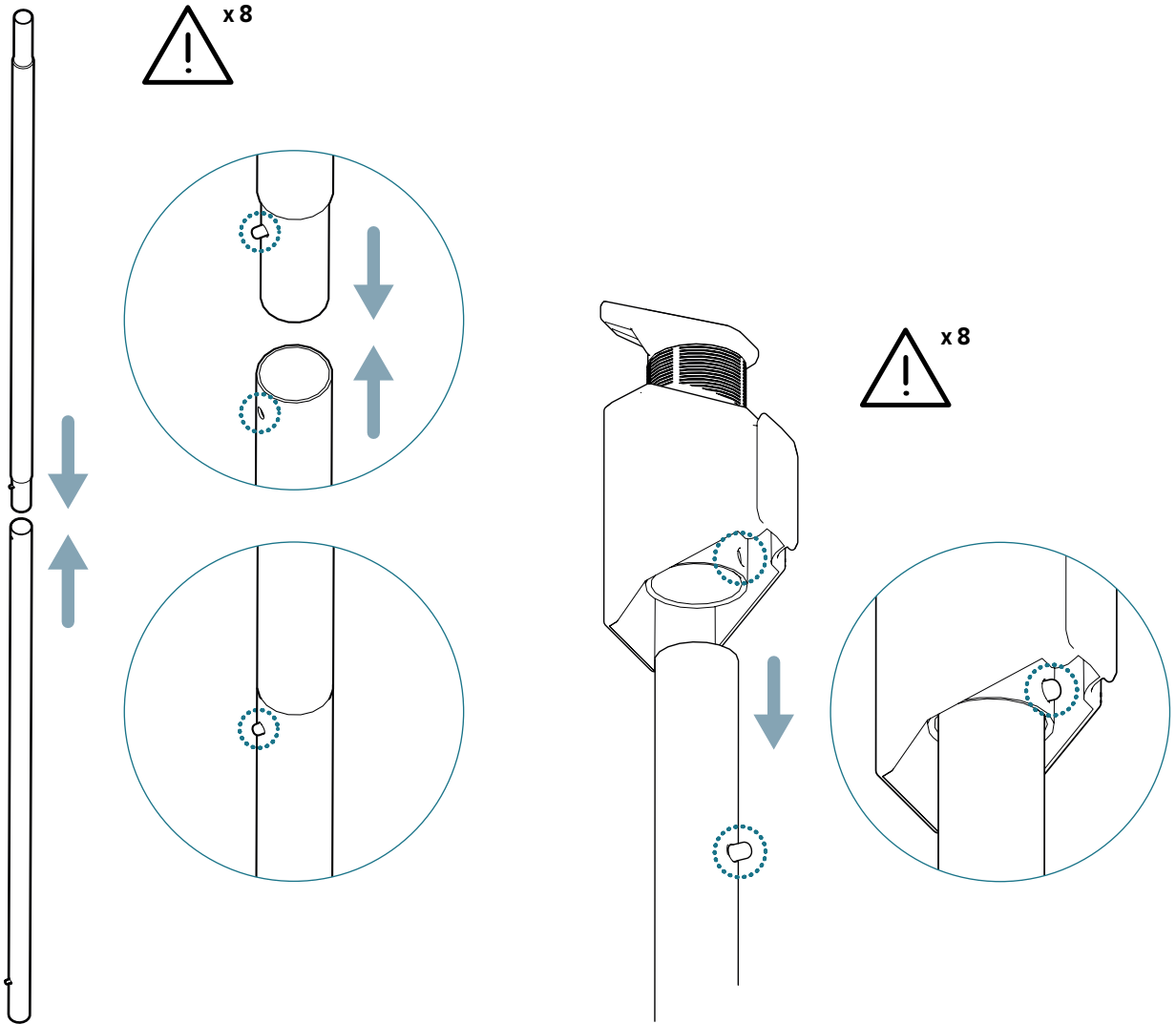


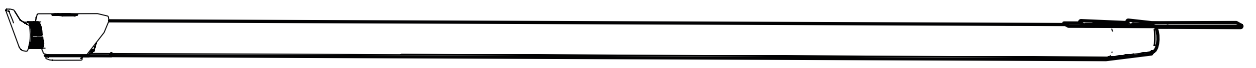
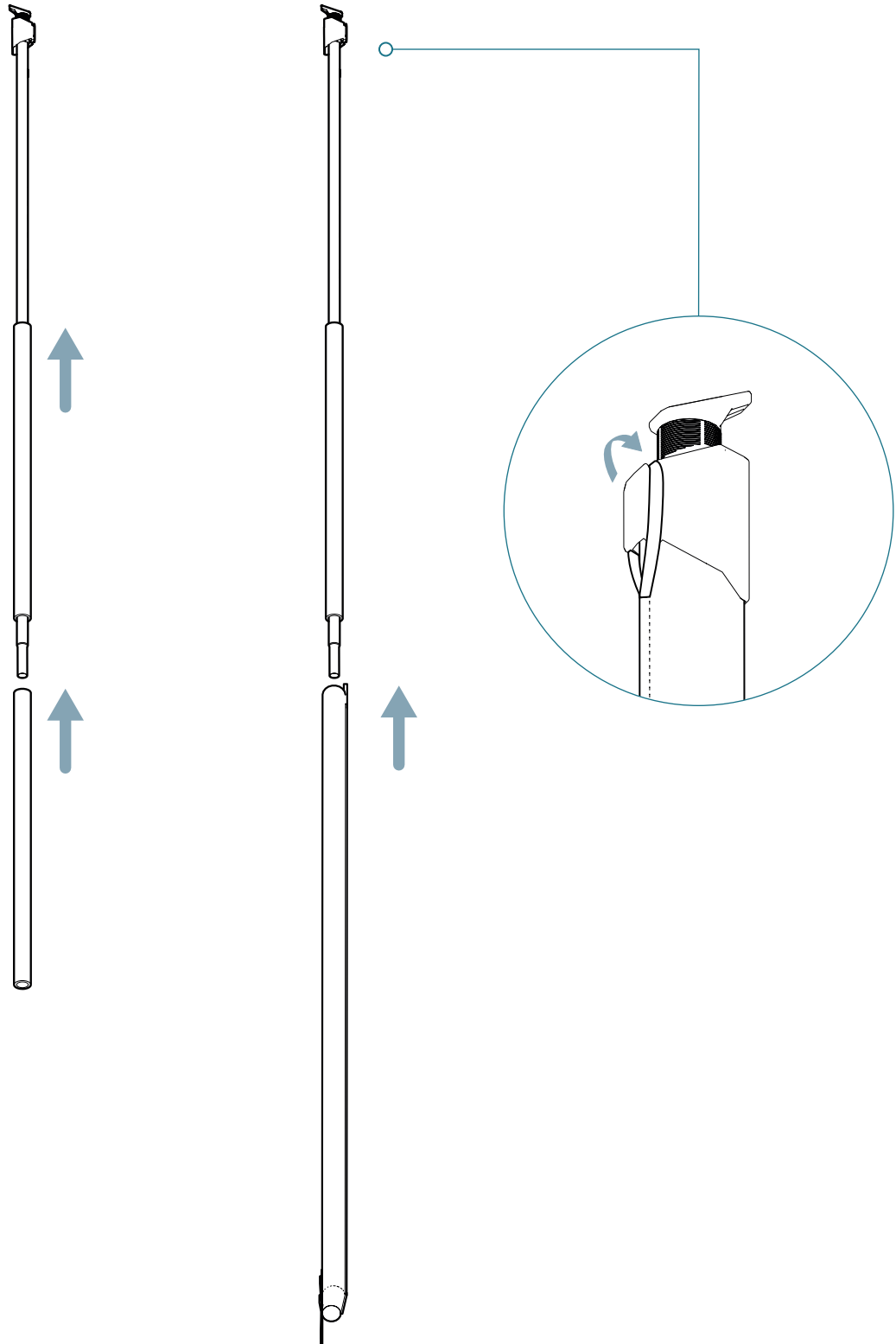


4



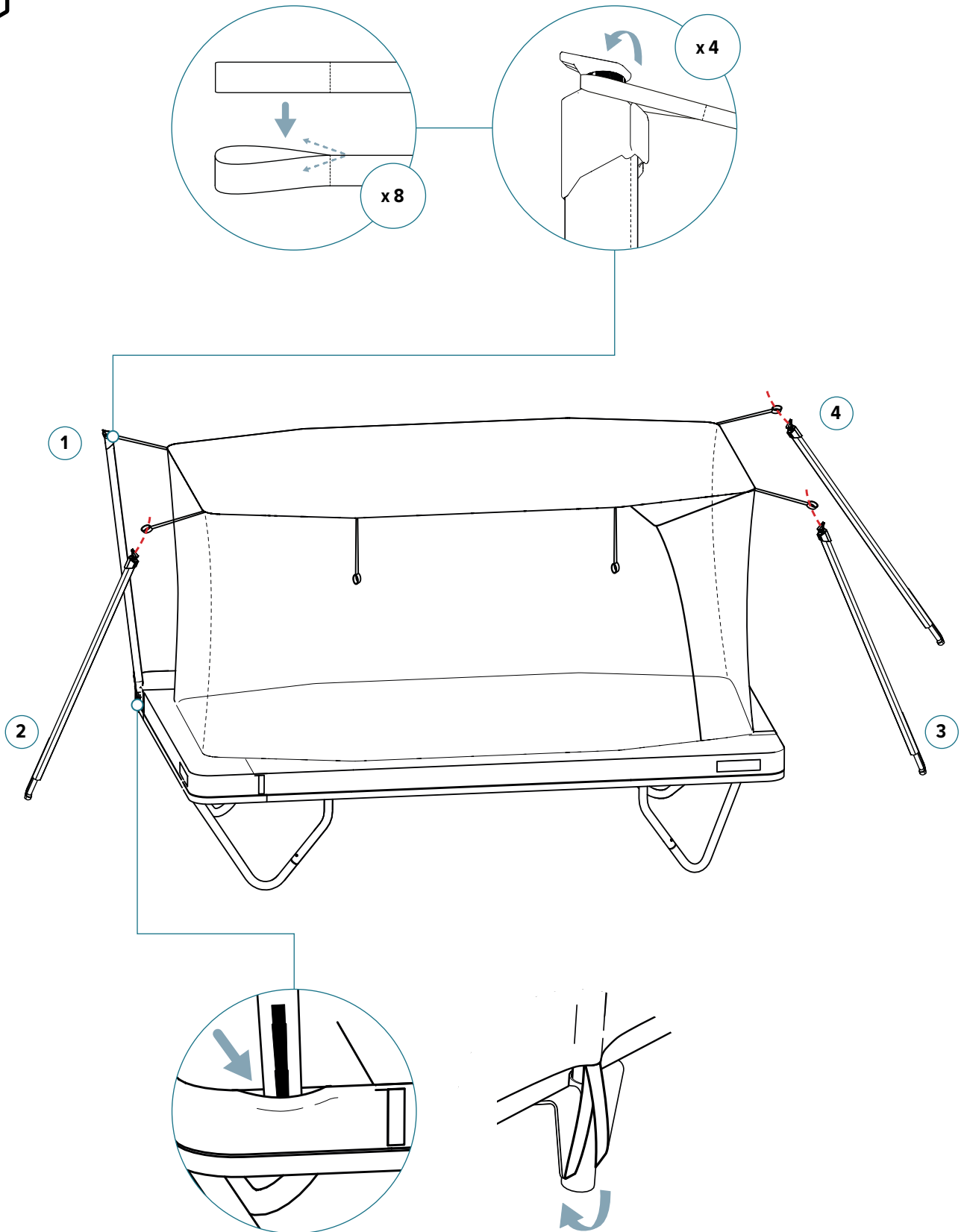
5 ↻ x8

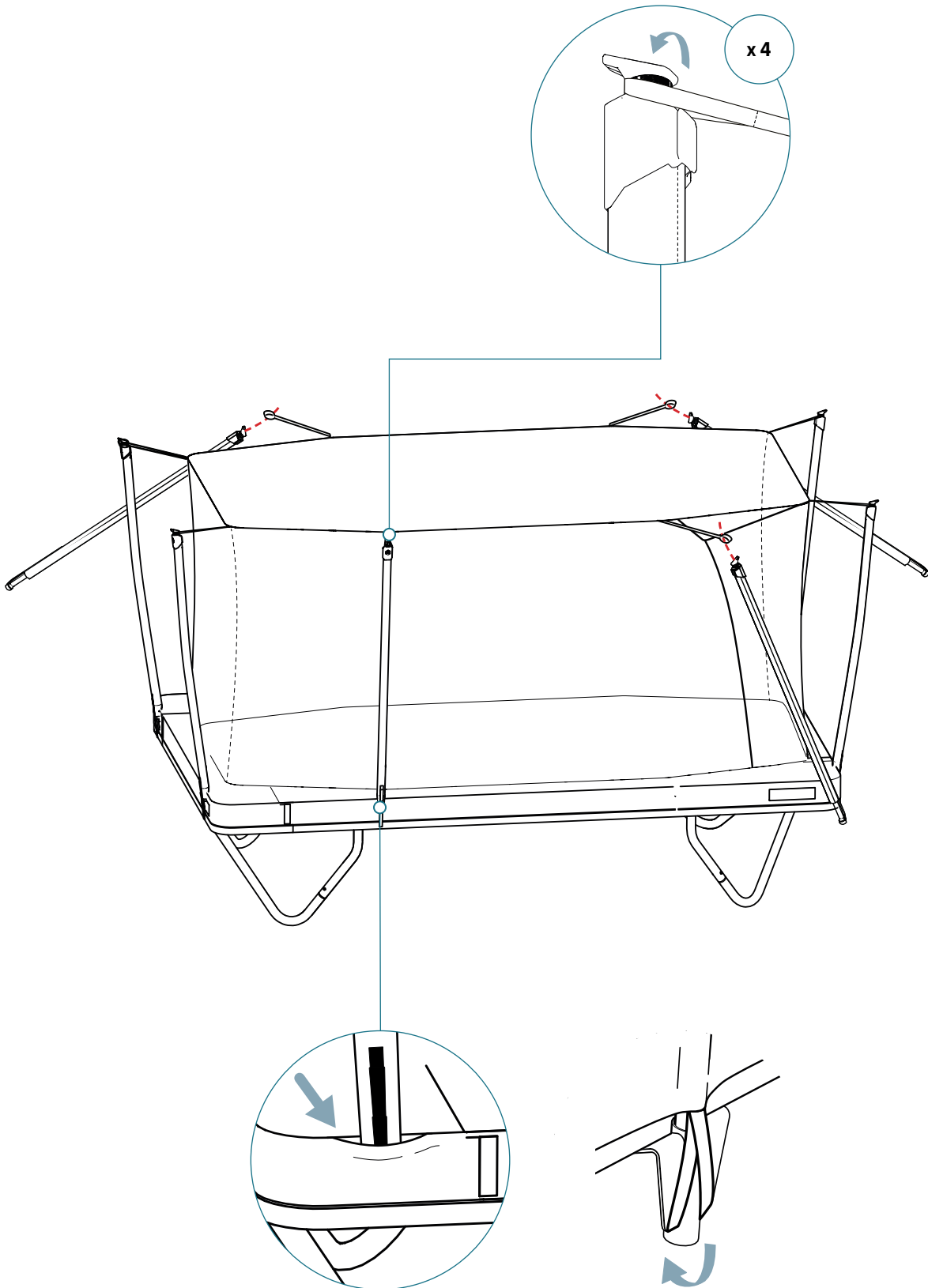




x8

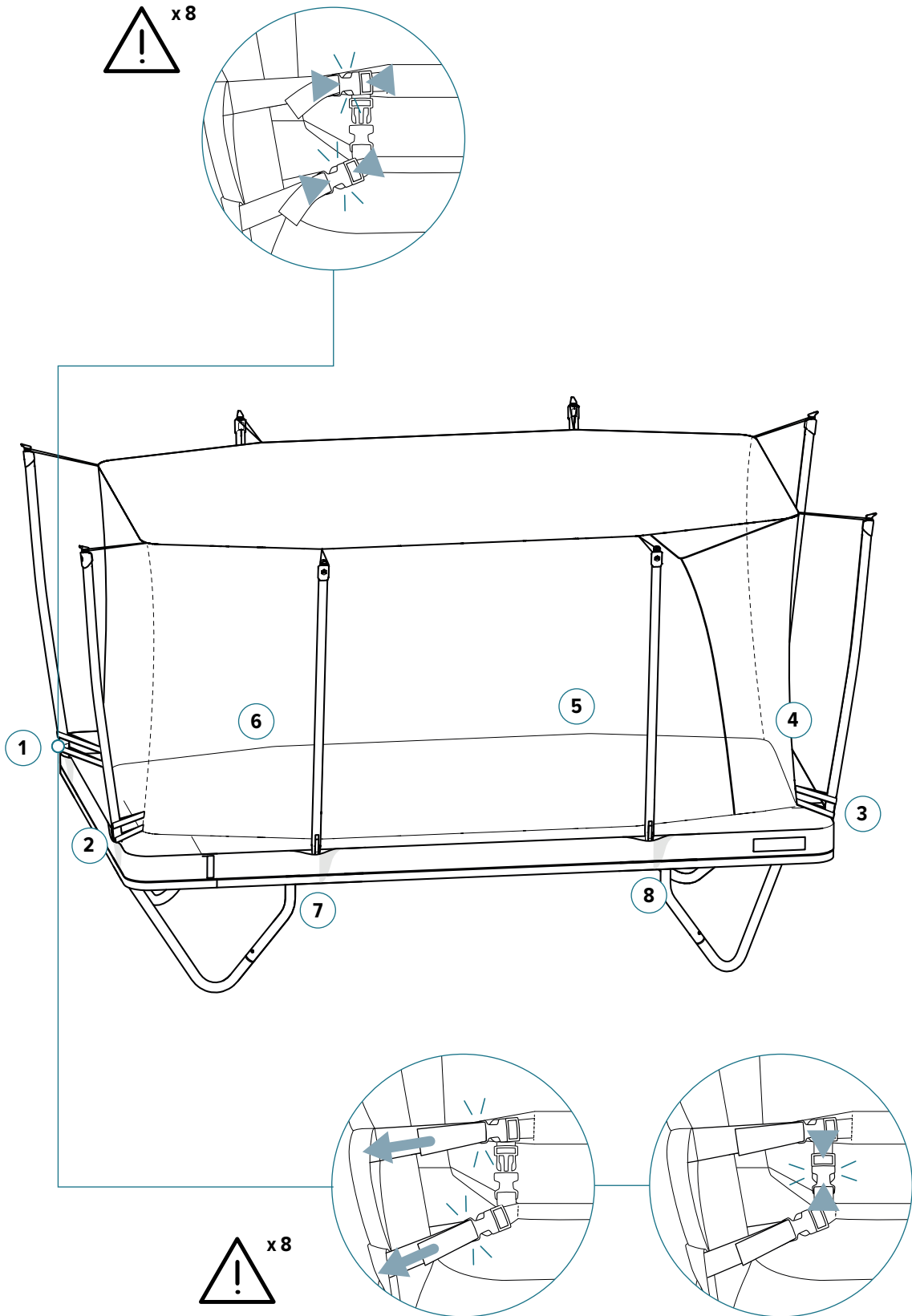
6







7



---

# CARE & MAINTENANCE

---

## INSPECTION

This safety net is an accessory to the North Athlete trampoline.

Inspect the trampoline and the safety net before each use and make sure that all parts are correctly fitted together.

On regular basis make sure to inspect the condition of:

- Check straps, ropes and the safety net assembly.
- The frame parts, screws and nut joints.
- The foam pad (fabric, stitching, attachments to the frame).
- The jump mat (no tears or small holes, the stitching and material in the spring attachment areas.)
- The springs.

Note that sunlight, rain, snow and extreme temperatures reduce the strength of these parts over time. If the above checks are not carried out the trampoline could become dangerous. Make sure to replace defective or missing parts.

To order original North Trampoline spare parts, please contact your local dealer. If any parts of the trampoline are exchanged or updated they should be installed according to the assembly manual of the trampoline. The new or added parts may have their own instructions for attachment and correct installation. Be sure to carefully follow these instructions and apply them accordingly.

Check all coverings of bolts for sharp edges and replace them if necessary. If self locking nuts are used it should be noted that these are suitable for only one assembly and must be replaced for reassembly.

---

---

**CLEANING**

When cleaning the jump mat be sure to first remove the debris with a broom. Use a garden hose and cold water to clean any remaining dirt. The padding can be wiped with mild detergent to remove dirt from seams and pockets. Make sure to clean the padding from any detergent residue. The trampoline can dry naturally in the sun.

---

**STORAGE**

During winter season the soft parts of the trampoline such as the foam pad should be kept in room temperature and away from moisture. To avoid mold make sure to dry the soft parts thoroughly before storage. Preferably, all metal parts should be stored inside for longer durability.

In strong wind conditions always remove the safety net and the jump mat. This prevents the trampoline from moving or flipping and further keeps your trampoline from damage.

To disassemble the safety net, follow the assembly manual in reverse. Use gloves to protect your hands from injury during disassembly.

Retain these instructions for continued care and maintenance.

---



**CONTACT**

North Trampoline  
Rullagergatan 9  
415 05 Gothenburg  
Sweden

**ONLINE**

[info@northtrampoline.com](mailto:info@northtrampoline.com)  
[www.northtrampoline.com](http://www.northtrampoline.com)